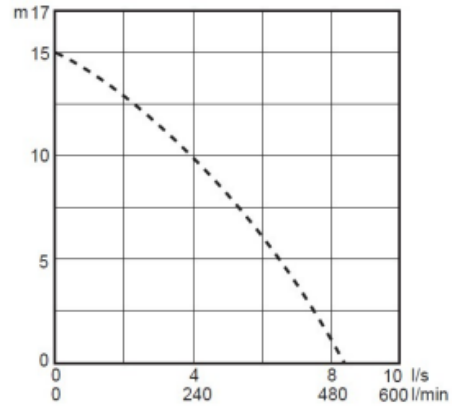
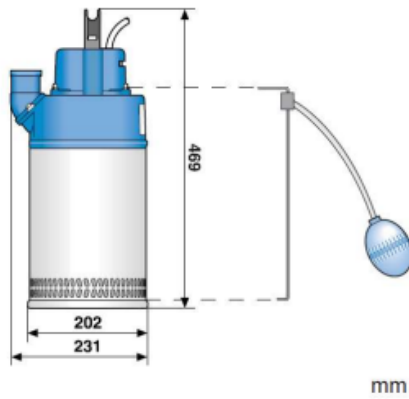


PUMPEX P 601 W

50Hz

Pump Performance



Model	P 601 W
Max Flow	30 m ³ /h
Max Head	15 m
Voltage	230 V (1-Phase)
Rated output	0,9 kW
Run Current	5,2 A
Shaft Speed	2750 rpm
Cable	3 x 1,5 mm ²
Discharge	50 mm (2")
Pump Weight	16 kg